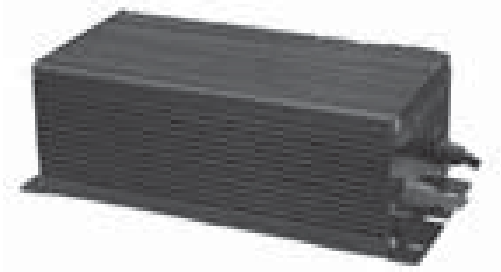




Metal Halide Electronic Ballasts



Vue Technology LLC
38190 Commercial Ct.
Slidell, LA 70458 U.S.A
Tel. (985)781-9078
Fax: (985)781-9081
Email: support@coralvue.com
Web: <http://www.coralvue.com>

Brief Description

The electronic ballast is an important energy-saving unit used for metal halide lamps or high pressure sodium lamps. Its job is to fire the lamps and stabilize the operating current. Compared with traditional inducing ballasts, this unit can reduce the current at least 60% and save energy by more than 30%. When voltage of the electric current changes from 25% to +15%, the output wattage is unchanged and the lamp will continue to work with no interruption. The luminescence is steady which prolongs ballast and lamp life. The electronic ballasts come in single output (one ballast, one bulb) or multi-output (one ballast, several bulbs).

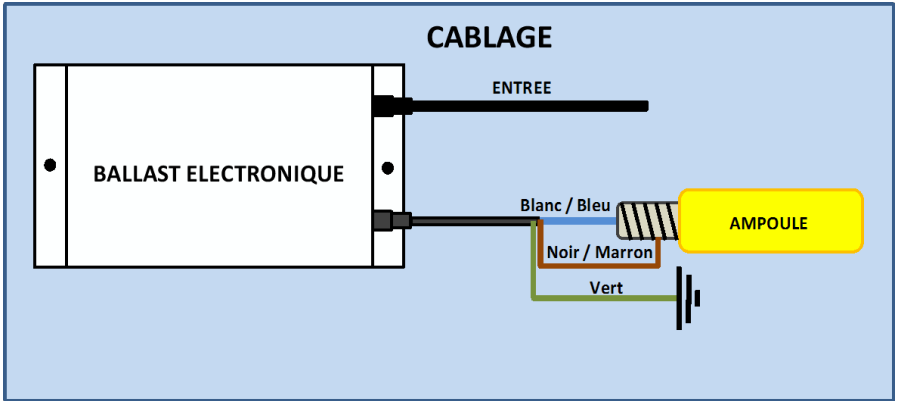
Installation Guide

1. Install the ballast in a place where there is good ventilation. Do not install the ballast in a place which has dust or high humidity.
2. If you use 2 sets of ballasts or more, put enough spacing between each installation.
3. Power must be shut off while installing, repairing, and testing.
4. The ballast has a self-protected circuit, which is controlled automatically. If power is removed or lost from the ballast it will take approximately 7 minutes for the ballast to fire the lamp again. The ballast will not restart the lamp until it is fully cooled.

5. Do not use the ballast around combustible gas or causticity gas.
6. Should there be any uncertainty with the function of the ballast, unplug it for approximately 7 minutes to reset.
7. Do not open or alter the product. This can cause malfunction as well as electric shock.
8. For the product's longer life expectancy, you should check it regularly.

Warranty

- All ballasts come with a 2 year warranty.
- The ballast will be warranted for any mechanical or electrical failure from normal wear and tear.
- The ballast will NOT be warranted for any physical abuse, water damage, or salt corrosion.
- Vue Technology will NOT warranty the ballast without the original proof of purchase from an authorized reseller.



Specifications

Model	Wattage (W)	Voltage (V)	Operating Current (A)
CV-175110	150W / 175W	120VAC	1.46A
CV-D-175110	350W	120VAC	3.00A
CV-T-175110	525W	120VAC	4.50A
CV-250110	250W	120VAC	2.20A
CV-D-250110	500W	120VAC	4.30A
CV-400110	400W	120VAC	3.60A
CV-600110	600W	120VAC	5.50A